



Symaro™

## Duct Temperature Sensors

**QAM2161.040**  
**QAM2171.040**

- Active sensors for acquiring the air temperature in air ducts
- Operating voltage AC 24 V or DC 13.5...35 V
- Signal output DC 0...10 V or 4...20 mA

### Use

The QAM... duct temperature sensors are for use in ventilation and air conditioning plants as:

- Supply or extract air temperature sensors
- Limit sensors, e.g. for minimum limitation of the supply air temperature
- Reference sensors, e.g. for compensation of the room temperature as a function of the outside temperature
- Dew point temperature sensors
- Measuring sensors, e.g. for measured value indication or for connection to a building automation and control system

### Type summary

Type reference	Probe length	Measuring range	Operating voltage	Output signal
<b>QAM2161.040</b>	0.4 m	-50...+50 °C	AC 24 V ±20 % / DC 13.5...35 V	DC 0...10 V
<b>QAM2171.040</b>	0.4 m	-50...+50 °C	DC 13.5...35 V	4...20 mA

## Ordering and delivery

When ordering, please give name and type reference, e.g.:

Duct temperature sensor **QAM2161.040**

The sensor is supplied complete with mounting flange AQM63.0 and cable entry gland M16.

## Equipment combinations

All systems or devices capable of acquiring and handling the sensor's DC 0...10 V or 4...20 mA output signal.

## Function

The sensor acquires the air temperature via its sensing element whose resistance value changes as a function of the temperature. This change is converted to a DC 0...10 V or 4...20 mA output signal, depending on the type of sensor. The output signal corresponds to the selected temperature range.

## Mechanical design

The duct temperature sensor consists of housing, printed circuit board, connection terminals and probe.

The 2-sectional housing is comprised of base and removable cover (snap-on design). The measuring circuit and the setting element are located on the printed circuit board inside the cover, the connection terminals on the base.

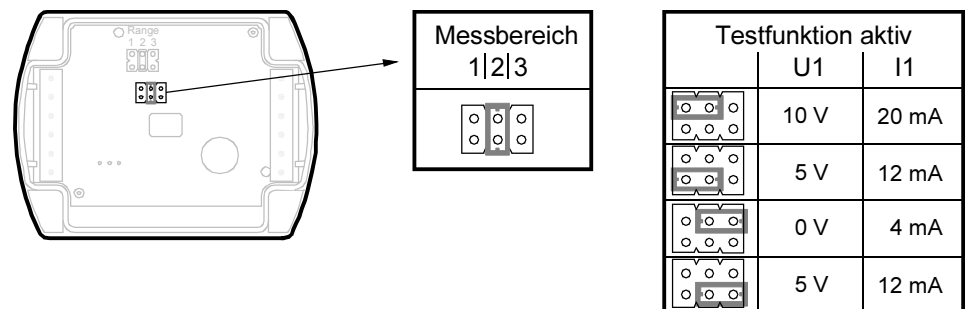
Cable entry is made via the M16 cable entry gland (IP 54) supplied with the sensor which can be screwed into the housing. Probe and housing are rigidly connected.

The sensor is designed for screwed or flanged mounting.

It can be fitted as follows:

- With the mounting flange supplied with the sensor (recommended), which is to be fitted to the sensor and then secured in accordance with the required immersion length, or
- Without mounting flange (making use of the maximum immersion length). For that propose, the housing has 4 holes for fitting the sensor directly to the air duct

### Setting element



The setting element is located inside the cover. It consists of 6 pins and a shorting plug. It is used to select the required measuring range and to activate the test function.

The different plug positions have the following meaning

- *For the temperature measuring range:*
  - Shorting plug in the left position (R1) = 0...50 °C
  - Shorting plug in the mid position (R2) = -50...+50 °C (factory setting)
  - Shorting plug in the right position (R3) = -35...+35 °C
- *For activating the test function:*
  - Shorting plug in the horizontal position: The values according to the table "Test function active" will be made available at the signal output.

### Fault

In the event of fault, the output signal will reach 0 V (4 mA) after 60 seconds.

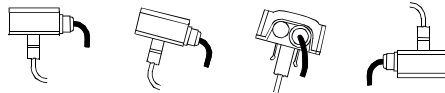
## Mounting notes

### Mounting location

- *For supply air temperature control:* Downstream from the fan, if the fan is located after the last air handling unit. Otherwise, after the last air handling unit with a minimum distance of 0.5 m
  - *For extract air temperature control:* Always upstream of the extract air fan
  - *As a limit sensor for the supply air temperature:* As close as possible to the air outlet into the room
  - *For dew point control:* Immediately after the spray trap of the air washer
- Manually bend the probe so that it lies diagonally across the duct or in equally spaced windings across the entire duct cross-section. The probe must not touch the duct wall. Mounting Instructions are printed on the packaging.

### Mounting positions

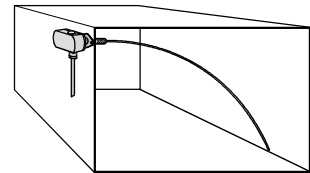
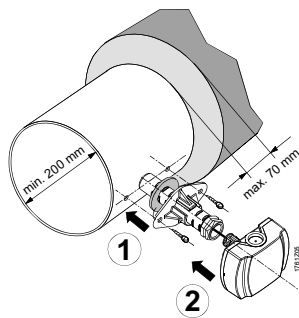
*Permitted:*



*Not permitted:*

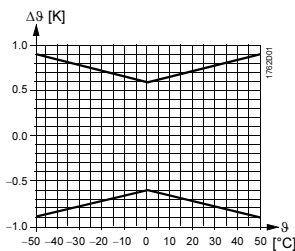


### Mounting examples



## Technical data

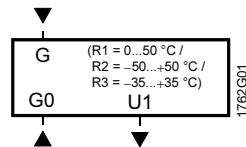
Power supply	Operating voltage	refer to "Type summary"	
	Frequency	50/60 Hz at AC 24 V	
	Power consumption	≤1 VA	
Line lengths for measuring signal	Perm. cable lengths		
	Copper cable 0.6 mm dia.	50 m	
	Copper cable 1 mm <sup>2</sup>	150 m	
	Copper cable 1.5 mm <sup>2</sup>	300 m	
Functional data	Measuring range	-50...+50 °C (R2 = factory setting), 0...50 °C (R1), -35...+35 °C (R3)	
	Probe		
	Probe length	0.4 m	
	Minimum bending radius	10 mm	
	Sensing element	Pt 1000	
	Time constant	30 s at 2 m/s	
	Dead time	<1 s	
	Measuring accuracy	refer to adjacent diagram	
	Output signal, linear (terminal U1)	DC 0...10 V $\hat{=}$ -50...+50 °C or -35...+35 °C or 0...50 °C, max. ±1 mA	
	Output signal, linear (terminal I1)	4...20 mA $\hat{=}$ -50...+50 °C or -35...+35 °C or 0...50 °C	
	Protective data	Degree of protection of housing	IP 54 to IEC 529
		Safety class	III to EN 60 730
		Electrical connections	1 x 2.5 mm <sup>2</sup> or 2 x 1.5 mm <sup>2</sup>
	Environmental conditions	Cable entry gland (enclosed)	M 16 x 1.5
		Operation	IEC 721-3-3 class 3K5 Temperature (housing) -40...+70 °C Humidity (housing) 5...95 % r. h.
	Transport	IEC 721-3-2 class 2K3 Temperature -25...+70 °C Humidity <95 % r. h. Mechanical conditions class 2M2	



Materials and colors	Probe	copper, polyolefine
	Base	polycarbonate, RAL 7001 (silver-grey)
	Cover	polycarbonate, RAL 7035 (light-grey)
	Mounting flange	PA 66 (black)
	Cable entry gland	PA, RAL 7035 (light-grey)
	Packaging	corrugated cardboard
Standards	Product safety	
	Automatic electrical controls for household and similar use	EN 60 730-1
	Electromagnetic compatibility	
	Immunity	EN 61 000-6-2
	Emissions	EN 61 000-6-3
Weight	CE conformity to	EMC Directive 89/336/EEC
	conformity to	
	Australian EMC Framework Radio Interference Emission Standard	Radio Communication Act 1992 AS/NZS 3548
Weight	Incl. packaging	
	QAM2161.040 QAM2171.040	approx. 0.17 kg approx. 0.17 kg

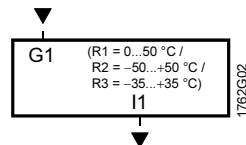
### Connection terminals

QAM2161.040



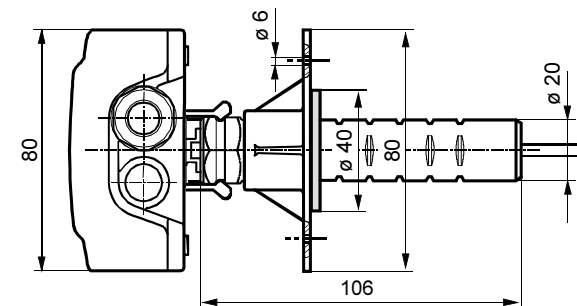
G, G0 Operating voltage AC 24 V (SELV) or DC 13.5...35 V  
U1 Signal output DC 0...10 V for measuring range -50...+50 °C (factory setting), 0...50 °C or -35...+35 °C

QAM2171.040

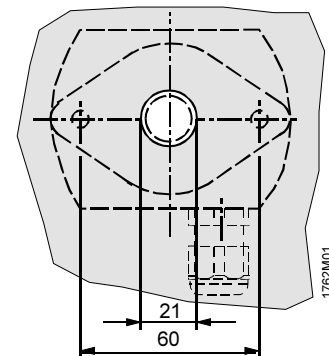
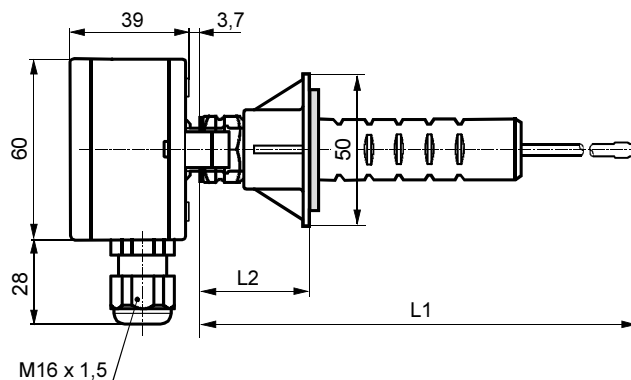


G1 Operating voltage DC 13.5...35 V  
I1 Signal output 4...20 mA for measuring range -50...+50 °C (factory setting), 0...50 °C or -35...+35 °C

### Dimensions (in mm)



Type	L1	L2	
		max.	min.
QAM2161.040	400	97	37
QAM2171.040	400	97	37



Drilling template