

Temco, Inc.

Design Excellence in Core Analysis Instrumentation

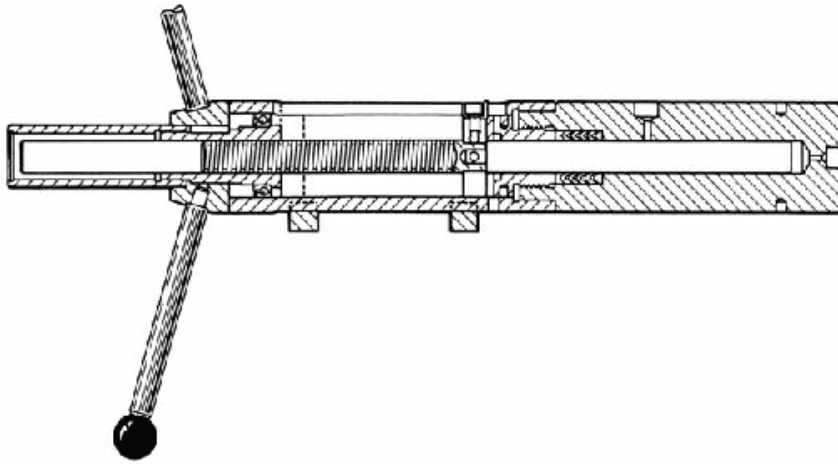
Positive Displacement Hand Pumps HAT Series



Temco offers a line of high pressure positive displacement pumps for the metering of fluids, measurement of volume and pressurization of systems. The design provides arms and plastic handles for easy operation. The displacement volumes are displayed on an easy to read linear scale and a high resolution radial dial. The standard resolution is 0.1 cc, but special scales are available to 0.0025 cc. The seals used are Chevron type Teflon® seals and a special wiper is used to prevent damaging particles from entering the seal area.

The standard material of construction is 316 stainless steel for 5,000 and 10,000 psi operation and 17-4 PH stainless steel for 20,000 psi operation. These pumps can be manufactured from such exotic materials as Hastelloy C-276, Hastelloy B-2, Monel 400 and Titanium.

The pump is designed to be mounted on to a work/test bench or lab table.



Ordering Information

When ordering hand pumps, please specify the following:

- Cylinder Volume: _____
- Resolution of Volume Measurement: standard _____
- Working Pressure: _____
- Number of Fittings and Type: _____
- Wetted Material: _____
- Other Requirements: _____