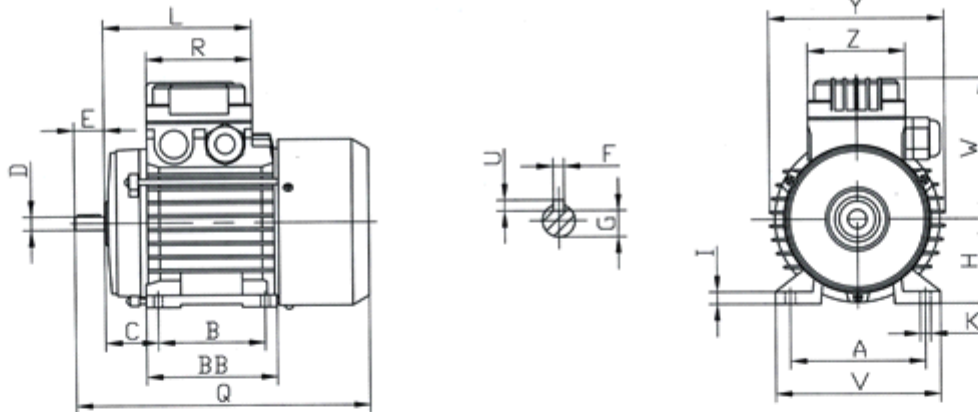
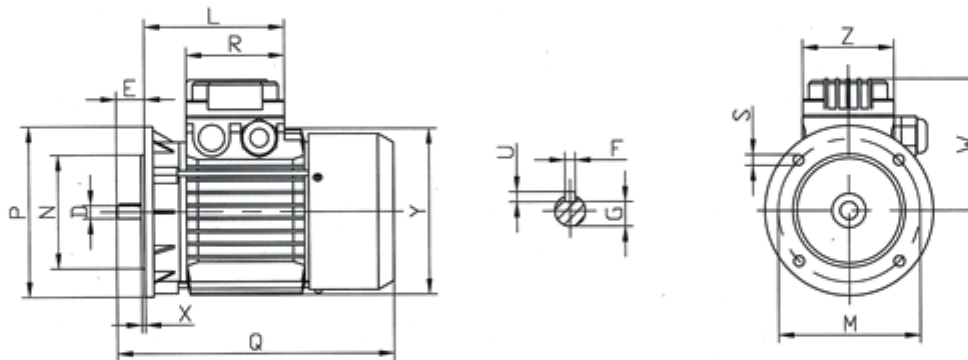


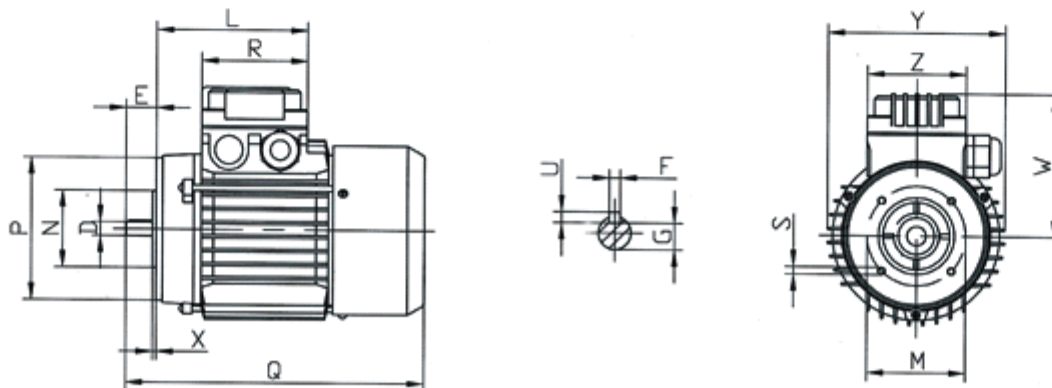
# YS56尺寸



YS56	90	71	35	9	20	3	7.2	56	8	195	3	110	93	117	87	99	70	65	5.8
-B3-	A	B	C	D	E	F	G	H	I	Q	U	V	W	Y	BB	L	R	Z	K

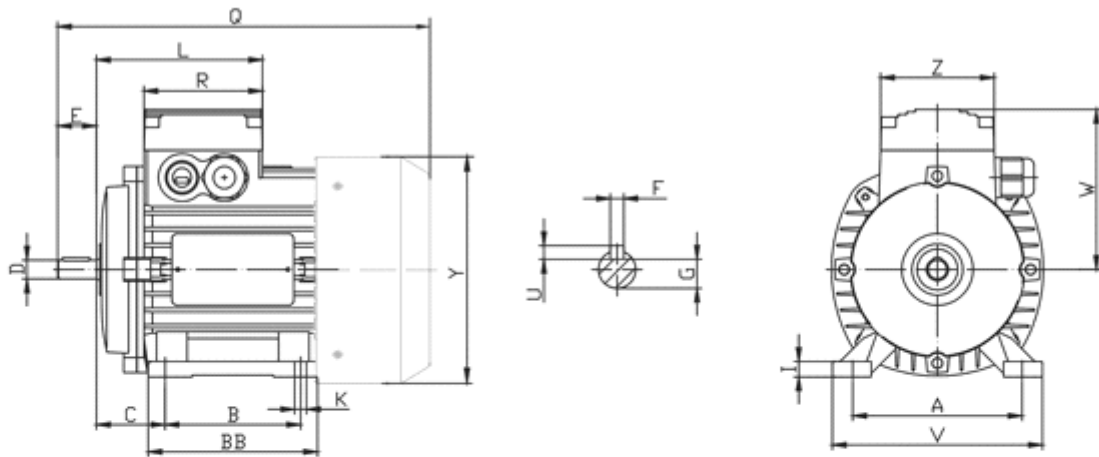


YS56	9	20	3	7.2	100	80	120	197	7	3	93	2.5	117	100	70	65			
-B5-	D	E	F	G	M	N	P	Q	S	U	W	X	Y	L	R	Z			

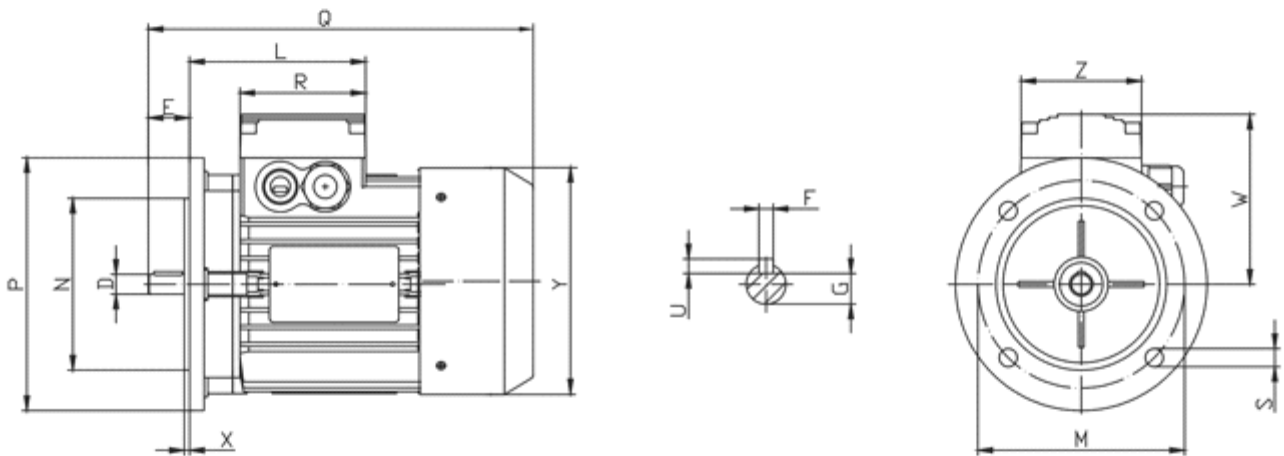


YS56	9	20	3	7.2	65	50	80	197	M5	3	93	2.5	117	100	70	65			
-B14-	D	E	F	G	M	N	P	Q	S	U	W	X	Y	L	R	Z			

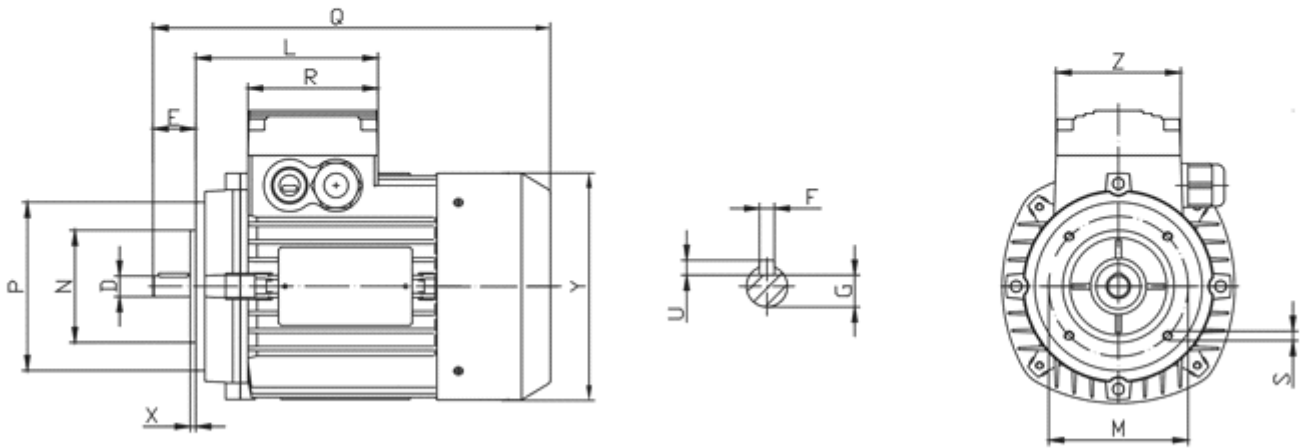
# Y2-63尺寸



Y2-63	100	80	40	11	23	4	8.5	63	9	215	4	124	95	125	100	98	70	67	7
-B3-	A	B	C	D	E	F	G	H	I	Q	U	V	W	Y	BB	L	R	Z	K

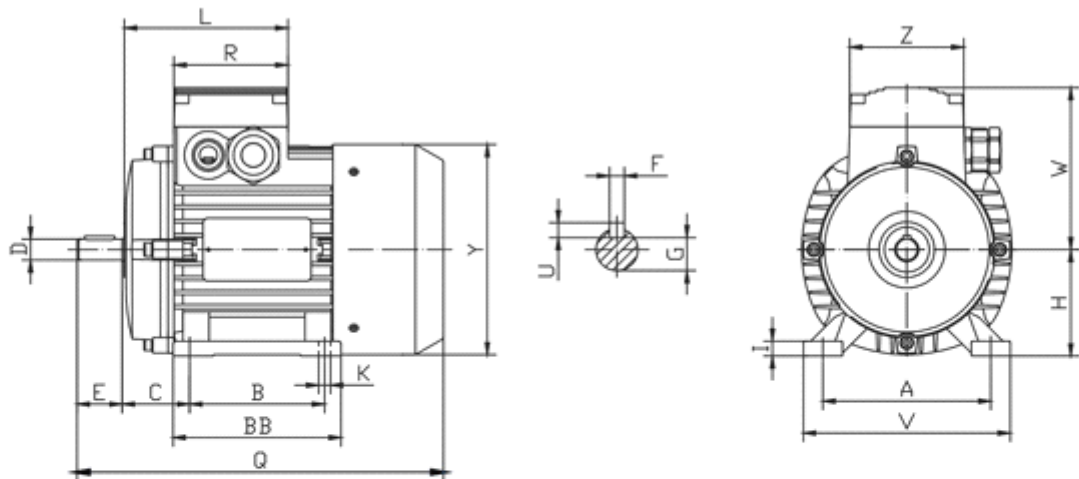


Y2-63	11	23	4	8.5	115	95	140	215	10	4	95	3	125	98	70	67			
-B5-	D	E	F	G	M	N	P	Q	S	U	W	X	Y	L	R	Z			

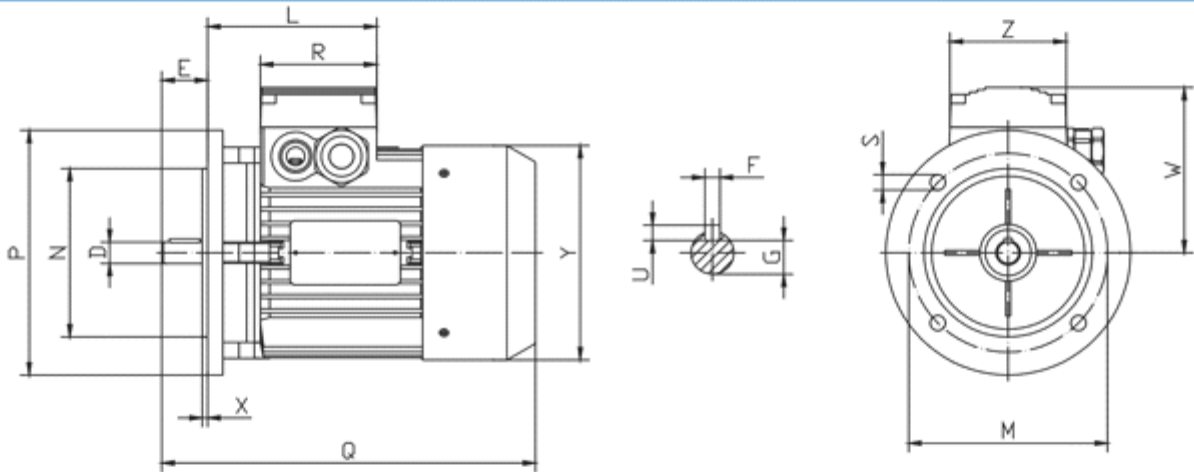


Y2-63	11	23	4	8.5	75	60	90	215	M5	4	95	2.5	125	98	70	67			
-B14-	D	E	F	G	M	N	P	Q	S	U	W	X	Y	L	R	Z			

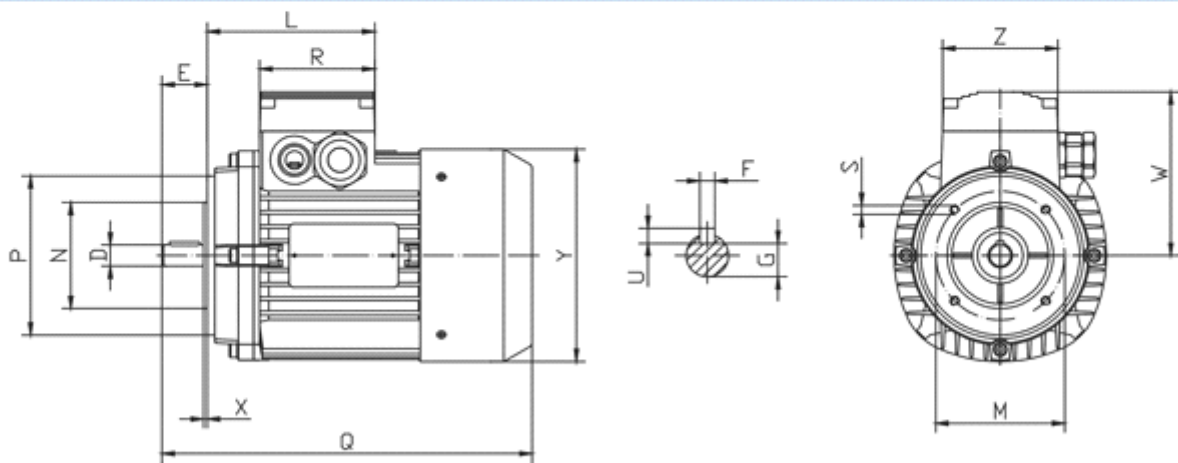
# Y2-71尺寸



Y2-71	112	90	45	14	30	5	11	71	10	245	5	136	108	140	113	114	76	76	7
-B3-	A	B	C	D	E	F	G	H	I	Q	U	V	W	Y	BB	L	R	Z	K

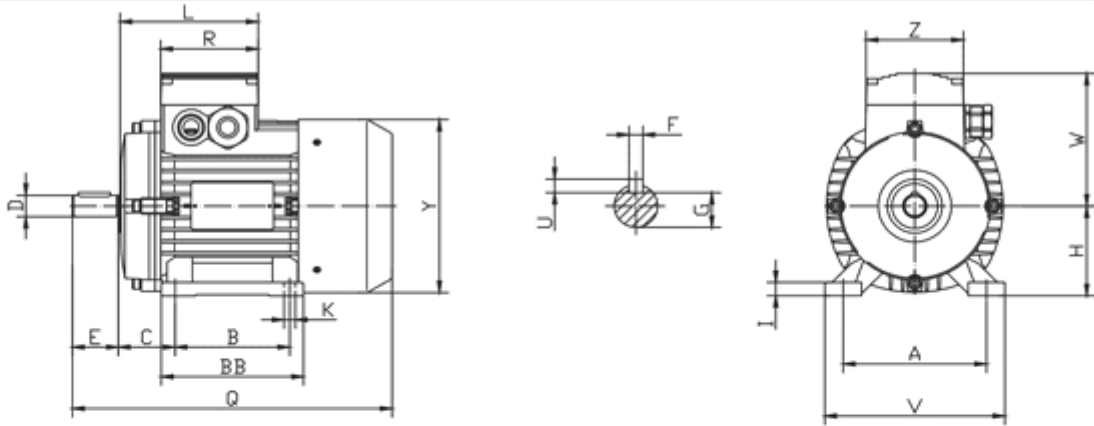


Y2-71	14	30	5	11	130	110	160	245	10	5	108	3.5	140	108	76	76			
-B5-	D	E	F	G	M	N	P	Q	S	U	W	X	Y	L	R	Z			

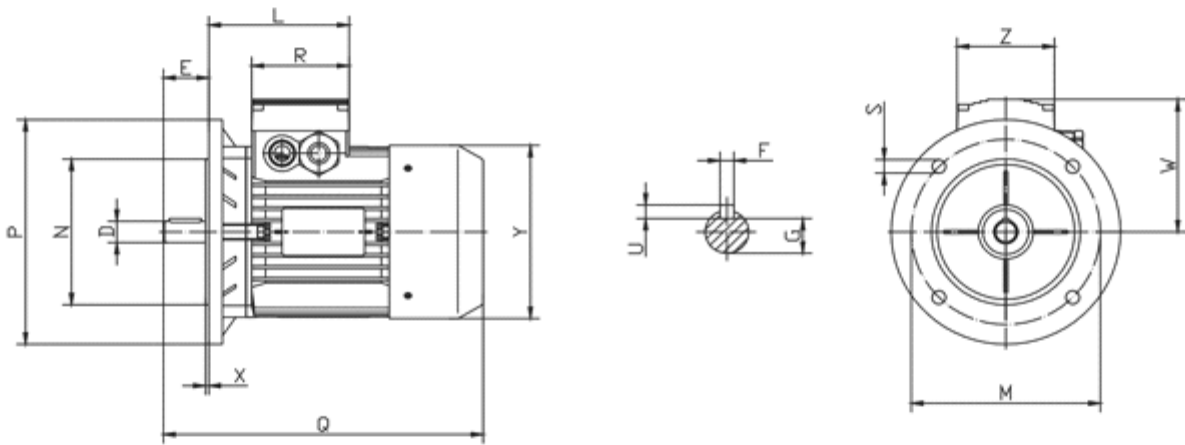


Y2-71	14	30	5	11	85	70	105	245	M6	5	108	2.5	140	114	76	76			
-B14-	D	E	F	G	M	N	P	Q	S	U	W	X	Y	L	R	Z			

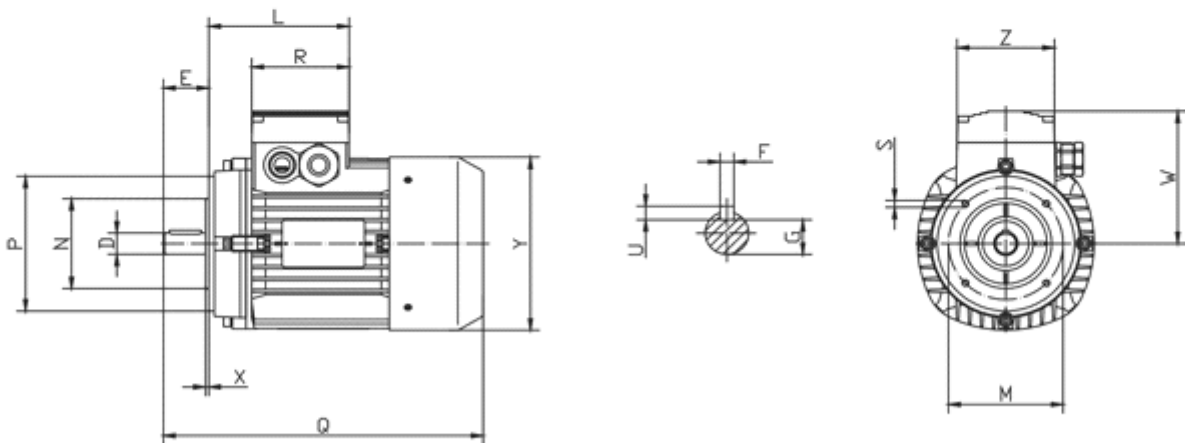
# Y2-80尺寸



Y2-80	125	100	51	19	40	6	15.5	80	12	280	6	154	137	156	125	172	85	85	10
-B3-	A	B	C	D	E	F	G	H	I	Q	U	V	W	Y	BB	L	R	Z	K

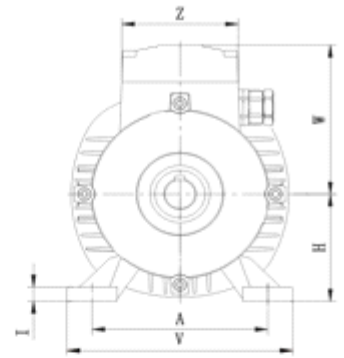
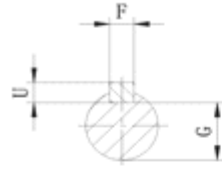
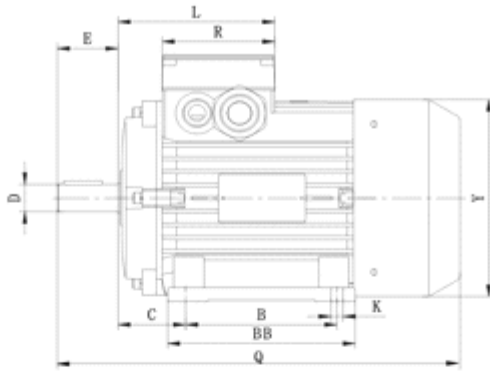


Y2-80	19	40	6	15.5	165	130	200	280	12	6	118	3.5	156	172	85	85			
-B5-	D	E	F	G	M	N	P	Q	S	U	W	X	Y	L	R	Z			

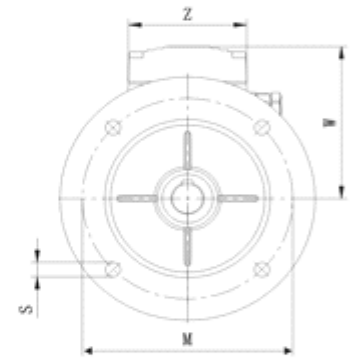
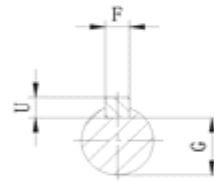
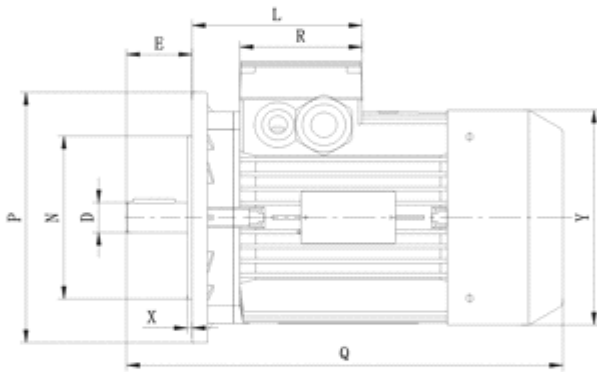


Y2-80	19	40	6	15.5	100	80	120	280	M6	6	118	3	156	172	85	85			
-B14-	D	E	F	G	M	N	P	Q	S	U	W	X	Y	L	R	Z			

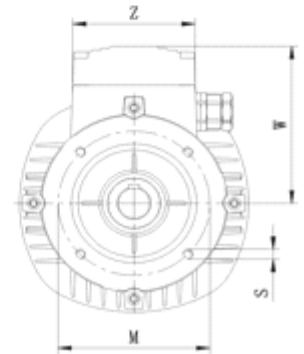
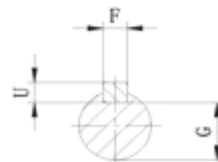
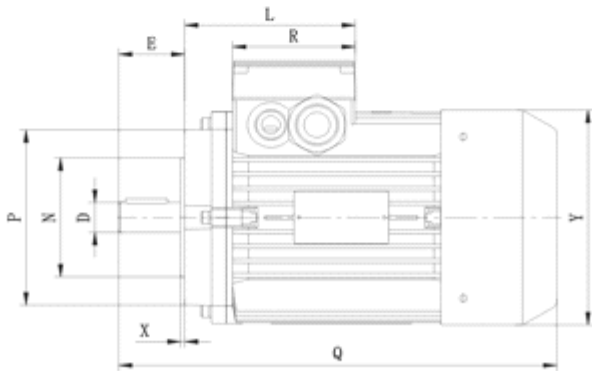
# Y2-90S尺寸



Y2-90S	140	100	56	24	50	8	20	90	12	312	7	180	125	174	130	130	93	93	10
-B3-	A	B	C	D	E	F	G	H	I	Q	U	V	W	Y	BB	L	R	Z	K

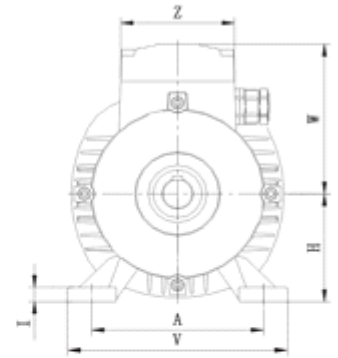
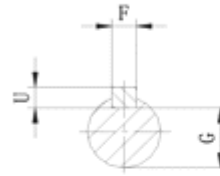
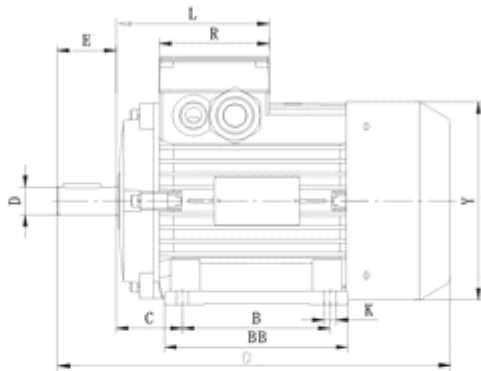


Y2-90S	24	50	8	20	165	130	200	312	12	7	125	3.5	174	130	93	93			
-B5-	D	E	F	G	M	N	P	Q	S	U	W	X	Y	L	R	Z			

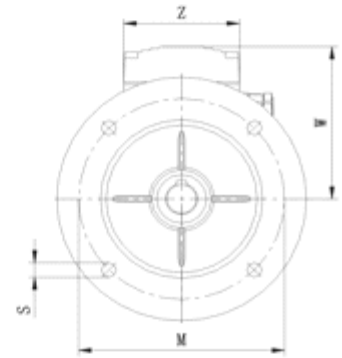
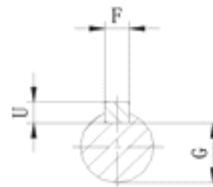
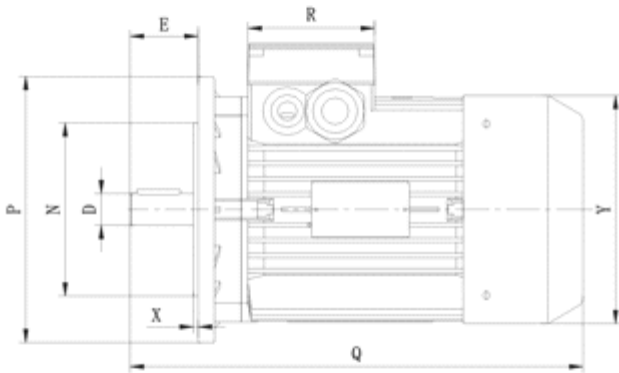


Y2-90S	24	50	8	20	115	95	138	336	M8	7	125	3	174	130	93	93			
-B14-	D	E	F	G	M	N	P	Q	S	U	W	X	Y	L	R	Z			

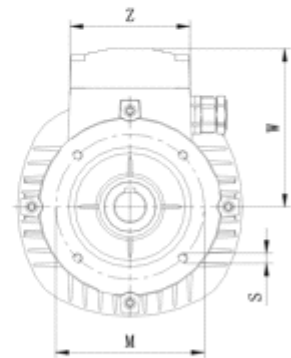
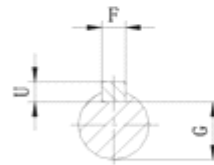
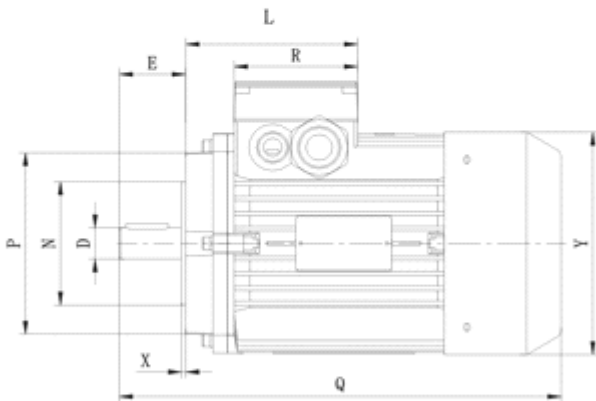
# Y2-90L尺寸



Y2-90L	140	125	56	24	50	8	20	90	12	336	7	180	125	174	155	130	93	93	10
-B3-	A	B	C	D	E	F	G	H	I	Q	U	V	W	Y	BB	L	R	Z	K

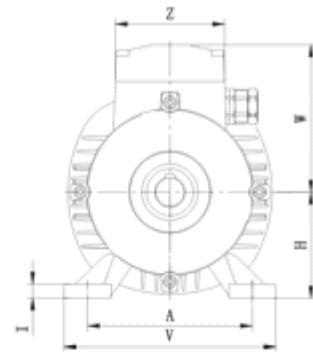
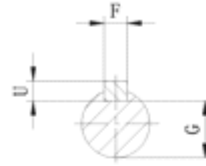
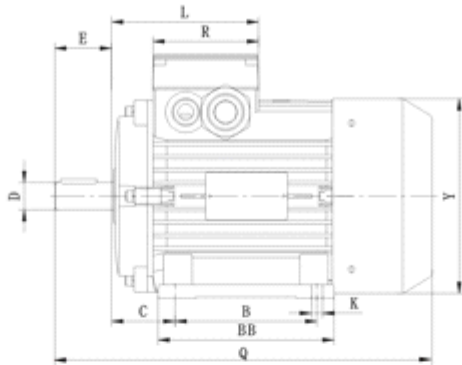


Y2-90L	24	50	8	20	165	130	200	336	12	7	125	3.5	174	130	93	93			
-B5-	D	E	F	G	M	N	P	Q	S	U	W	X	Y	L	R	Z			

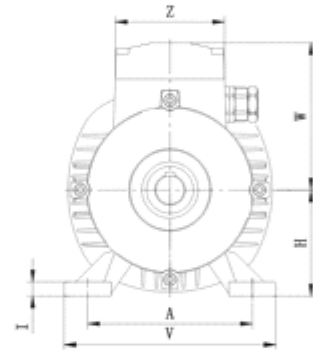
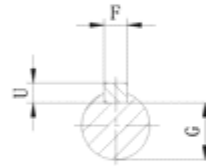
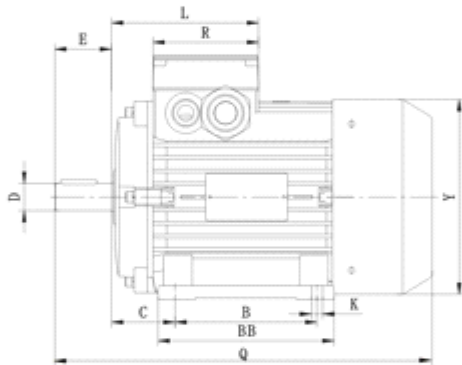


Y2-90L	24	50	8	20	115	95	138	336	M8	7	125	3	174	130	93	93			
-B14-	D	E	F	G	M	N	P	Q	S	U	W	X	Y	L	R	Z			

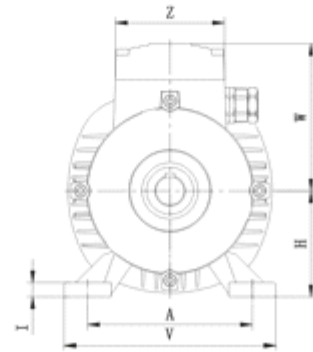
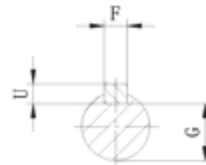
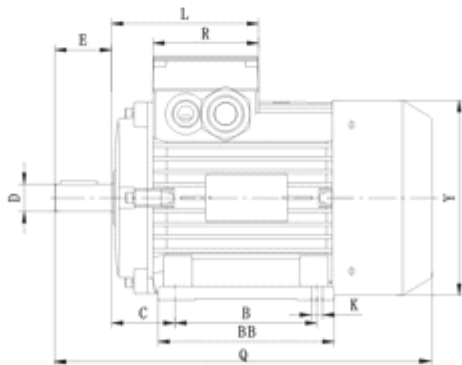
# Y2-100L尺寸



Y2-100L	160	140	63	28	60	8	24	100	14	390	7	205	145	194	176	140	80	75	8
-B3-	A	B	C	D	E	F	G	H	I	Q	U	V	W	Y	BB	L	R	Z	K

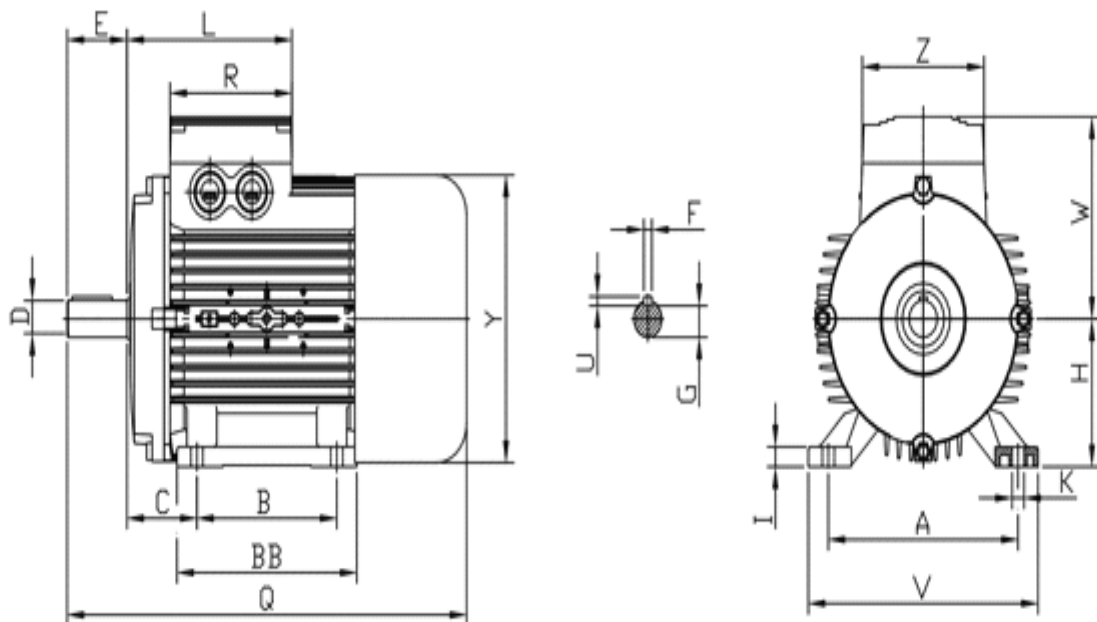


Y2-100L	28	60	8	24	215	180	250	390	15	7	145	4	194	141	98.5	98.5			
-B5-	D	E	F	G	M	N	P	Q	S	U	W	X	Y	L	R	Z			

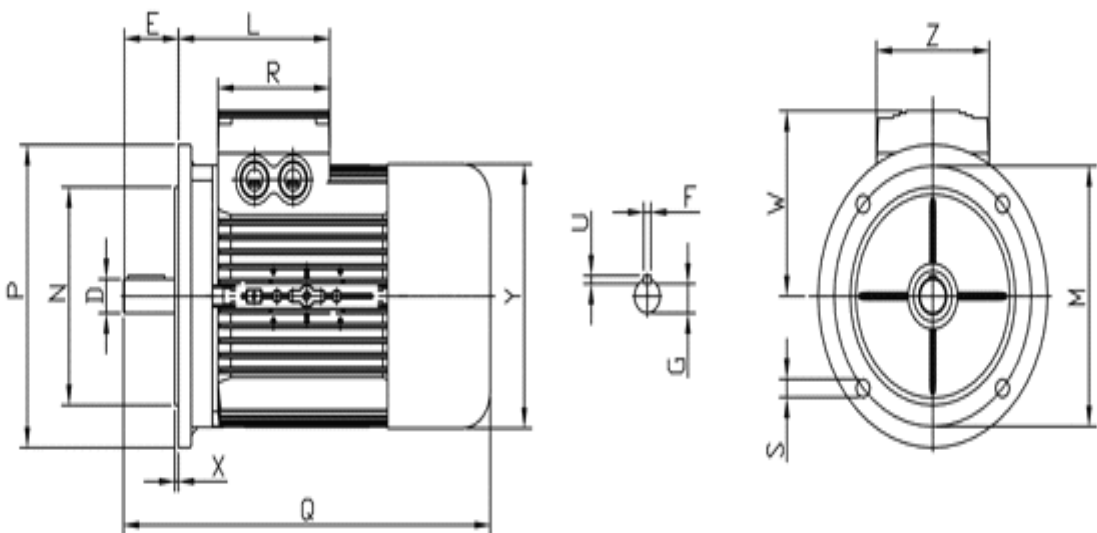


Y2-100L	28	60	8	24	130	110	160	390	M8	7	145	3.5	194	141	98.5	98.5			
-B14-	D	E	F	G	M	N	P	Q	S	U	W	X	Y	L	R	Z			

# Y2-112M尺寸



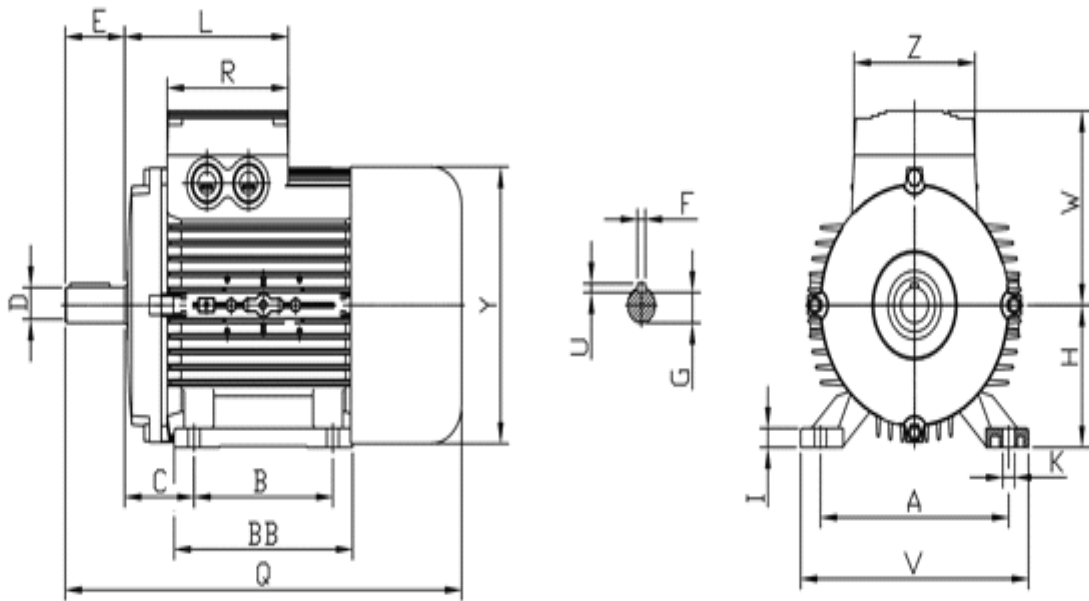
Y2-112M	190	140	70	28	60	8	24	112	15	400	7	230	153	218	180	165	122	122	12
-B3-	A	B	C	D	E	F	G	H	I	Q	U	V	W	Y	BB	L	R	Z	K



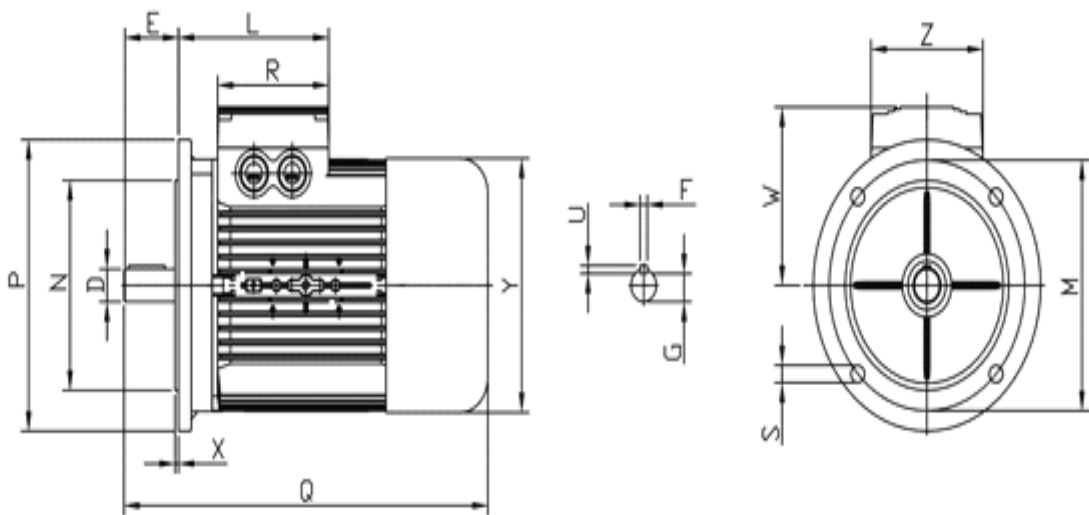
Y2-112M	28	60	8	24	215	180	250	400	15	7	153	4	218	165	122	122			
-B5-	D	E	F	G	M	N	P	Q	S	U	W	X	Y	L	R	Z			



# Y2-132S尺寸

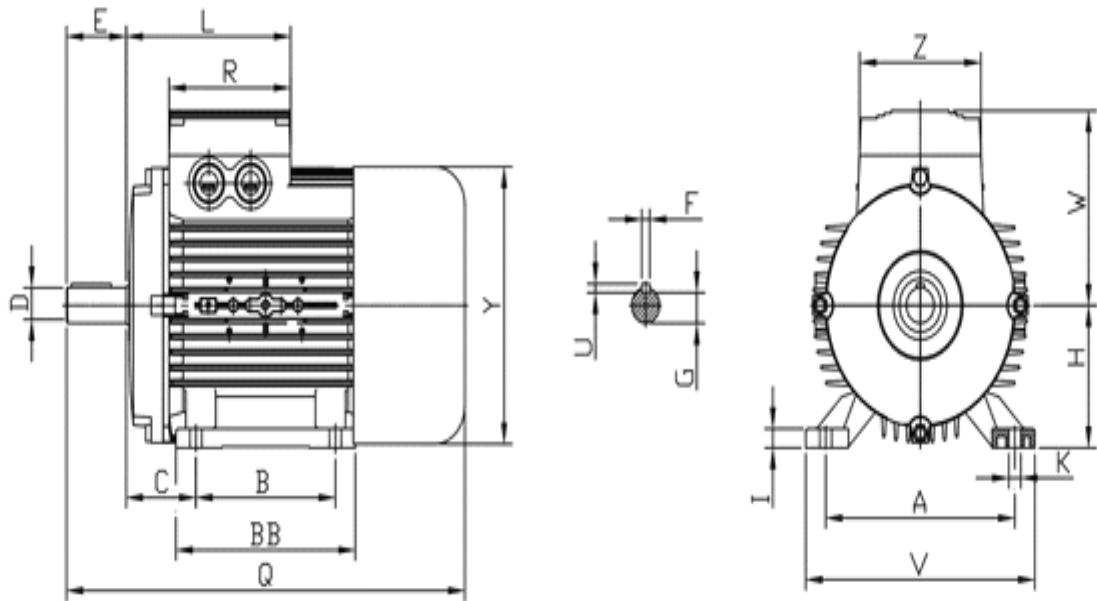


Y2-132S	216	178	89	38	80	10	33	132	16	463	8	260	188	256	218	199	145	145	12
-B3-	A	B	C	D	E	F	G	H	I	Q	U	V	W	Y	BB	L	R	Z	K

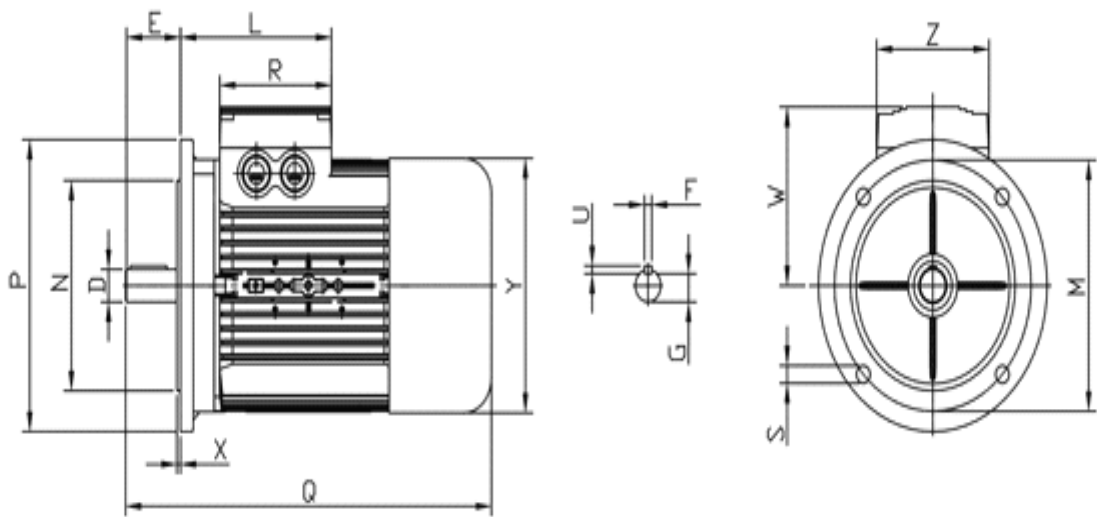


Y2-132S	38	80	10	33	265	230	300	463	15	8	188	4	256	199	145	145			
-B5-	D	E	F	G	M	N	P	Q	S	U	W	X	Y	L	R	Z			

# Y2-132M尺寸



Y2-132M	216	215	89	38	80	10	33	132	16	500	8	260	188	256	255	199	145	145	12
-B3-	A	B	C	D	E	F	G	H	I	Q	U	V	W	Y	BB	L	R	Z	K



Y2-132M	38	80	10	33	265	230	300	500	15	8	188	4	256	199	145	145			
-B5-	D	E	F	G	M	N	P	Q	S	U	W	X	Y	L	R	Z			

TYPE	POWER (KW)	$N_n$ (R/MIN)	$I_n$ (A)	$\cos\phi$	$M_n$ (N.M)	$M_{st}/M_n$	$M_{max}/M_n$	$I_s/I_n$	$\eta$ (%)
------	------------	---------------	-----------	------------	-------------	--------------	---------------	-----------	------------

2P

$n_0=3000r/min$

YS5612	0.09	2800	0.32	0.68	0.307	2.3	2.3	6	62
YS5622	0.12	2800	0.38	0.71	0.410	2.3	2.3	6	67
YS5632	0.18	2800	0.65	0.70	0.614	2.3	2.3	6	60
Y2-63M1-2	0.18	2800	0.51	0.80	0.614	2.2	2.2	5.5	65
Y2-63M2-2	0.25	2800	0.67	0.81	0.853	2.2	2.2	5.5	68
Y2-63M3-2	0.37	2800	1.05	0.78	1.26	2.2	2.2	6.1	68.5
Y2-71M1-2	0.37	2800	0.98	0.81	1.26	2.2	2.2	6.1	70
Y2-71M2-2	0.55	2800	1.33	0.82	1.88	2.2	2.3	6.1	73
Y2-71M3-2	0.75	2800	1.82	0.83	2.56	2.3	2.3	6.1	75.5
Y2-80M1-2	0.75	2800	1.78	0.83	2.56	2.2	2.3	6.1	75
Y2-80M2-2	1.1	2800	2.49	0.84	3.75	2.2	2.3	7	77
Y2-90S-2	1.5	2840	3.34	0.84	5.04	2.2	2.3	7	79
Y2-90L-2	2.2	2840	4.69	0.85	7.40	2.2	2.3	7	81
Y2-100L-2	3	2860	6.14	0.87	10.0	2.2	2.3	7.5	83
Y2-100L2-2	4	2860	8.10	0.87	13.4	2.2	2.3	7.5	84
Y2-112M-2	4	2880	7.83	0.88	13.3	2.2	2.3	7.5	85
Y2-132S-2	5.5	2900	10.7	0.88	18.1	2.2	2.3	7.5	86
Y2-132M-2	7.5	2900	14.2	0.88	24.7	2.2	2.3	7.5	87

4P

$n_0=1500r/min$

YS5614	0.06	1400	0.28	0.58	0.410	2.4	2.4	6	56
YS5624	0.09	1400	0.39	0.61	0.614	2.4	2.4	6	58
YS5634	0.12	1400	0.52	0.62	0.819	2.4	2.4	6	56.5
Y2-63M1-4	0.12	1400	0.43	0.72	0.819	2.1	2.2	4.4	57
Y2-63M2-4	0.18	1400	0.61	0.73	1.23	2.1	2.2	4.4	60
Y2-63M3-4	0.25	1400	0.86	0.67	1.71	2.1	2.2	5.2	64
Y2-71M1-4	0.25	1400	0.76	0.74	1.71	2.1	2.2	5.2	65
Y2-71M2-4	0.37	1400	1.07	0.75	2.53	2.1	2.2	5.2	67
Y2-71M3-4	0.55	1400	1.66	0.7	3.75	2.4	2.3	5.2	70
Y2-80M1-4	0.55	1400	1.54	0.75	3.75	2.4	2.3	5.2	71
Y2-80M2-4	0.75	1400	1.99	0.76	5.12	2.3	2.3	6	73
Y2-80M3-4	1.1	1400	2.78	0.77	7.50	2.3	2.3	6	74
Y2-90S-4	1.1	1420	2.80	0.77	7.40	2.3	2.3	6	75
Y2-90L-4	1.5	1420	3.65	0.79	10.1	2.3	2.3	6	78

## Y2性能参数

TYPE	POWER (KW)	$N_n$ (R/MIN)	$I_n$ (A)	$\cos\phi$	$M_n$ (N.M)	$M_{st}/M_n$	$M_{max}/M_n$	$I_s/I_n$	$\eta$ (%)
4P									$n_0=1500r/min$
Y2-100L1-4	2.2	1420	5.05	0.81	14.8	2.3	2.3	7	80
Y2-100L2-4	3	1420	6.64	0.82	20.2	2.3	2.3	7	82
Y2-112M-4	4	1440	8.62	0.82	26.5	2.3	2.3	7	84
Y2-132S-4	5.5	1450	11.5	0.83	36.2	2.3	2.3	7	85
Y2-132M-4	7.5	1450	15.3	0.84	49.4	2.3	2.3	7	87
6P									$n_0=1000r/min$
Y2-71M1-6	0.18	910	0.71	0.66	1.88	1.9	2.0	4.0	56
Y2-71M2-6	0.25	910	0.92	0.68	2.62	1.9	2.0	4.0	59
Y2-80M1-6	0.37	910	1.27	0.70	3.88	1.9	2.0	4.7	62
Y2-80M2-6	0.55	910	1.74	0.72	5.77	1.9	2.1	4.7	65
Y2-90S-6	0.75	920	2.23	0.72	7.78	2.0	2.1	5.5	69
Y2-90L-6	1.1	920	3.10	0.73	11.4	2.0	2.1	5.5	72
Y2-100L-6	1.5	940	3.89	0.75	15.2	2.0	2.1	5.5	76
Y2-112M-6	2.2	940	5.46	0.76	22.3	2.0	2.1	6.5	79
Y2-132S-6	3	960	7.10	0.76	29.8	2.1	2.1	6.5	81
Y2-132M1-6	4	960	9.30	0.76	39.8	2.1	2.1	6.5	82
Y2-132M2-6	5.5	960	12.3	0.77	54.7	2.1	2.1	6.5	84

注：以上参数按三相380V/50Hz的额定电压及频率提供。

## 上海豪冠机电设备有限公司

了解更多产品参数尺寸价格，请来电咨询上海豪冠机电设备有限公司 杨奇 电话：021-60640771  
13661695091