

普雷沃阀业（上海）有限公司

Polovo valves (Shanghai) Co.,Ltd.

From: Arina Tel: 86 21 68112100 Email: polovovalve0928@hotmail.com

Web: www.polovo.cn



— 普雷沃 —

QUOTATION (EXW)

NO.HXD-120100188

PAGE: 1OF1

DATE: 2012/11/02

To: P N Dixit Email: pndixit47@gmail.com	From: Polovo valves (Shanghai) Co., Ltd. Email: polovovalve0928@hotmail.com
---	--

THE PRICE OF THE PRODUCT:

Advantages:					
<ul style="list-style-type: none"> ※ Itself light weight ※ Strong corrosion resistance, adapt to large diameter ※ Material health and non-toxic ※ Maintenance ,replacement and remove convenient 					
NO.	Model	Quantity	Unit price	Total price	Parameter
NO.1	1/2" & DN15 UPVC 2 way ball valve	1pc	\$13	\$25	Technical parameter: Material: Plastic UPVC Bore material: UPVC Seal material: PTFE Body structure: 2way Ambient temperature:-30~80℃ Nominal pressure: 1.0~1.6MPa Nominal diameter:DN15-100mm Connection type: Double union Applicable medium: PVC compatible food industrial solvents.
NO.2	1" & DN25 UPVC 2 way ball valve	1pc	\$18	\$18	
NO.3	1/2" & DN15 CPVC 2 way ball valve	1pc	\$25	\$25	
NO.4	1" & DN25 CPVC 2 way ball valve	1pc	\$45	\$45	
NO.5	1/2" & DN15 PVDF 2 way ball valve	1pc	\$136	\$136	
NO.6	1" & DN25 PVDF 2 way ball valve	1pc	\$215	\$215	
NO.7	1/2" & DN15 UPVC 3 way ball valve	1pc	\$182	\$182	
NO.8	1" & DN25 UPVC 3way ball valve	1pc	\$198	\$198	

PRICE DESCRIPTION:

- 1).Quality and acceptance standard according to GB/T4213-92 level standard execution
- 2).My company products three guarantees within 12 months
- 3).Standard export packing, also can be pack as your request
- 4).Delivery Time for 4-7 days of International express(EMS, FEDEX,DHL)
- 5).This quotation is valid till Dec., 30th , 2012
- 6). Payment terms "Escrow Service" "T/T", "Western Union"

普雷沃阀业（上海）有限公司

Polovo valves (Shanghai) Co.,Ltd.

From: Arina Tel: 86 21 68112100 Email: polovovalve0928@hotmail.com

Web: www.polovo.cn

POLOVO

—普雷沃—

Widely used:

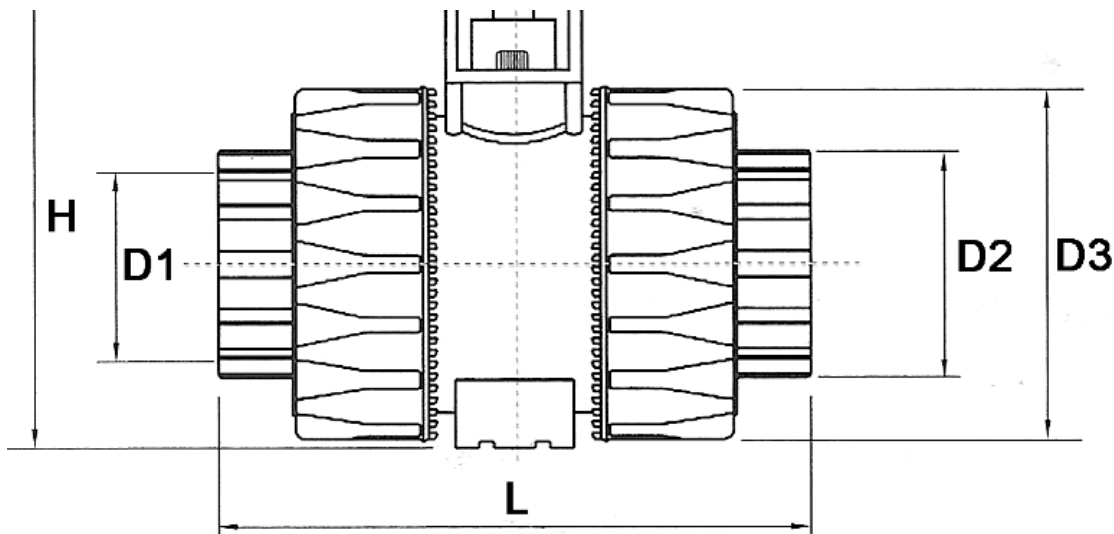
General pure water and raw drinking water pipeline system

Drainage and sewage pipeline system

Salt water and the sea water pipeline system

Acid-base and chemical solution system

Size drawing



Type specification table

Diameter (mm)	Inch	Size (mm)				
		L	H	D1	D2	D3
15	1/2	112	72	20.1	31	45
20	3/4	132	88	25.1	37	55
25	1	144	105	32.1	44	66
32	1 1/4	165	131	40.1	54	82
40	1 1/2	171	156	50.1	65	98
50	2	200	192	63.1	79	120
65	2 1/2	273	224	75.1	92	140
80	3	303	256	90.1	108	160
100	4	326	360	110.1	146	225

Welcome to here!

Polovo valves (Shanghai) CO., Ltd

Email: polovovalve0928@hotmail.com (Arina)

Looking forward to your reply... thank you very much and nice day...

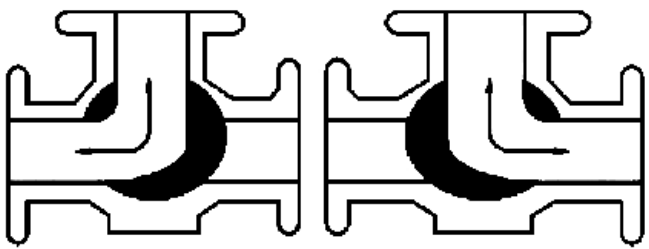
Product parameter

Pneumatic actuator	Double acting、single acting
Pneumatic accessories	Limit switch、positioner、solenoid valve、filter relief-pressure valve、hand wheel-operated.
Manual operated Plastic UPVC/ CPVC 2way ball valve	
Nominal diameter	DN15-DN100
Nominal pressure	1.0-1.6MPa
Applicable temperature	-30~80℃
Connection	Double Union
Body structure	2way
Body material	UPVC、CPVC、PP
Disc material	UPVC、CPVC、PP
Seat lining	PTFE
Applicable medium	PVC compatible food industrial solvents

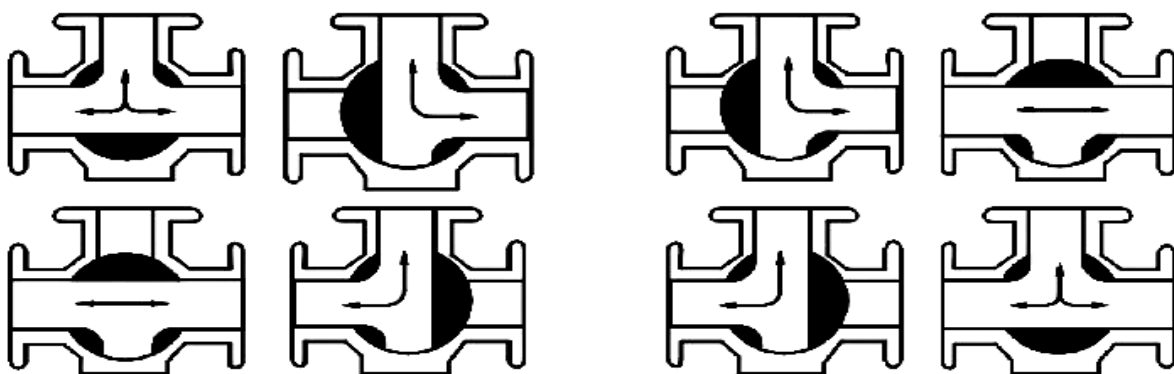
3-way flow diaphragm

Flow diagram

Three-way L-type



Three-way T-type



普雷沃阀业（上海）有限公司

Polovo valves (Shanghai) Co.,Ltd.

From: Arina Tel: 86 21 68112100 Email: polovovalve0928@hotmail.com

Web: www.polovo.cn

POLOVO

— 普雷沃 —

Product Parameters:

Pneumatic actuator	Double acting
Pneumatic accessories (Optional)	Limit switch、positioner、solenoid valve、filter relief-pressure valve、hand wheel-operated.
Nominal diameter	DN15-DN50
Nominal pressure	1.0-1.6MPa
Applicable temperature	-30~80℃
Connection	Union
Body structure	T/L-type three way
Body material	UPVC
Disc material	UPVC
Seat lining	PTFE
Applicable medium	PVC compatible food industrial solvents

Widely used industrial:

- 1) Drainage and sewage pipeline system,
- 2) Acid-base and chemical solution system,
- 3) Salt water and the sea water pipeline system,
- 4) General pure water and raw drinking water pipeline system.

Related Pictures:



普雷沃阀业（上海）有限公司

Polovo valves (Shanghai) Co.,Ltd.

From: Arina Tel: 86 21 68112100 Email: polovovalve0928@hotmail.com

Web: www.polovo.cn

POLOVO

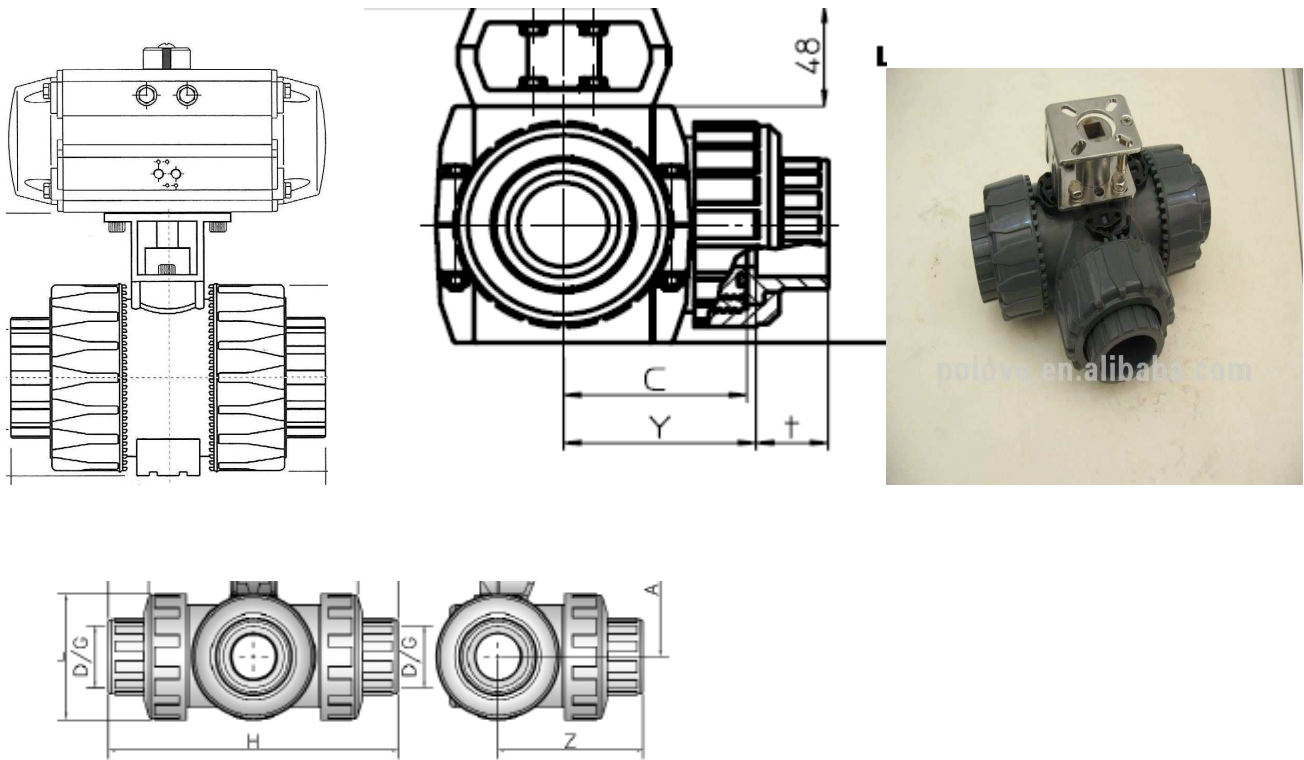
— 普雷沃 —

Dimension:

Polovo produce a complete range of ball valves whose coupling comply with the following standards:

Solvent welding: ISO727, EN1452, DIN8063, BS4346/1, ASTM2467, Coupling to pipes complying with ISO 161/1 EN1452, DIN8062, NPT54-016, BS3505, BS3506, ASTM F441. Thread coupling: UNI-ISO 228/1, DIN2999, BS21, ASTM2464, ASA ANSI B1.20.1

Size drawing



Q614/615F-16S Pneumatic UPVC 3-way Ball Valve:

3-way ball valve Dual Block with metric series plain male ends (三通球阀, 公制胶粘插端)						
Size (mm)	Inch (")	PN	D/G (Φ)	L	H	f
15	1/2	16	20	54	140	16
20	3/4	16	25	65	175	19
25	1	16	32	73	188	22
32	1 1/4	16	40	86	220	26
40	1 1/2	16	50	98	251	31
50	2	16	63	122	294	38

普雷沃阀业（上海）有限公司

Polovo valves (Shanghai) Co.,Ltd.

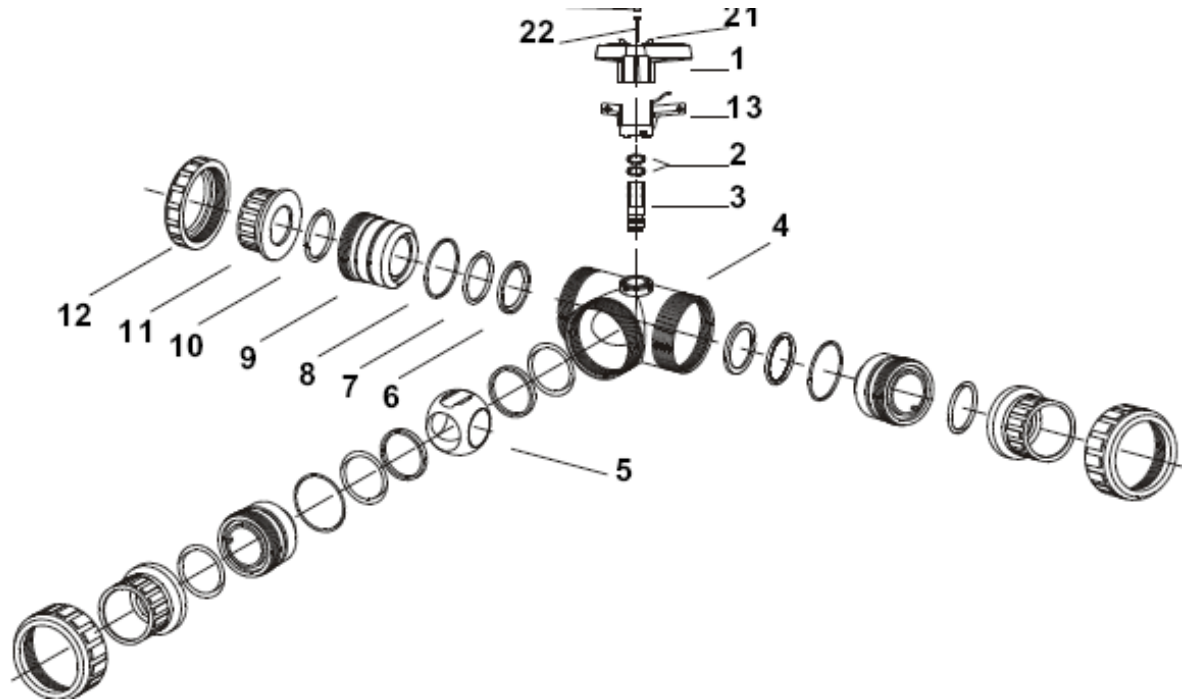
From: Arina Tel: 86 21 68112100 Email: polovovalve0928@hotmail.com

Web: www.polovo.cn

POLOVO

—普雷沃—

Inner structure and parts name:



Parts Name:

1. Handle L/ T

2. O-ring

3. Shaft

4. Body

5. Ball L/ T

6. Ball seating joint

7. O-Ring

8. O-Ring

9. Thrust Collar

10. O-Ring

11. Connections

12. Union nut

13. Spring loaded locking sleeve

21. Spigot

Email: polovovalve0928@hotmail.com

Thank you very much for your checking here, have any questions please don't hesitate

To mail me, thank you very much... (Arina: + 021 1590 1763 564)