

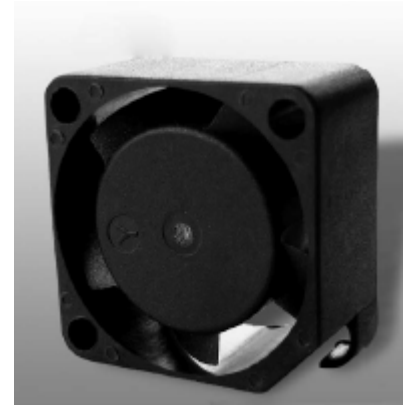


20mm DC FAN

CERS

● General Specifications

- ⌚ Material ----- Frame:Plastics (Flammability:UL94V-0)
Impeller:Plastics (Flammability:UL94V-0)
- ⌚ Lead Wire ----- + Red - Black (Sensor) Yellow (Control) Brown
- ⌚ Life time -----25000 Hours Sleeve bearing
50000 Hours Ball bearing
- ⌚ Storage Temperatur--- -30°C ~ +70°C (Non-condensing)
- ⌚ Bearing Type----- Ball Bearings Sleeve
- ⌚ Speed Range----- ±10%
- ⌚ Part Numbering System



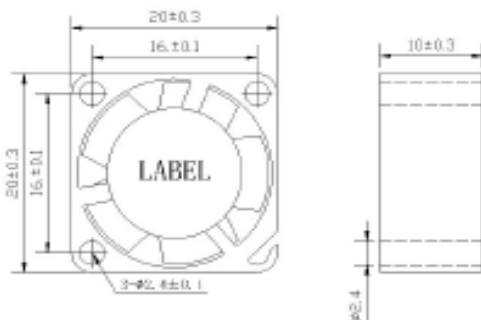
SFD-FB0205MA- **B** **R**

Sensor: 0=no,R=RD sensor ,F=FG sensor ,P=PWM sensor ,T=Temperature sensor
Bearing:S=sleeve bearing,B=ball bearing,Y=superflo bearing

20 X 20 X 10 mm (Mass: 7.1g)

Model No.	Rated Voltage	Operating Voltage	Rated Current	Rated Input	Speed	Maximum Air Flow		Max.Static Pressure		Noise
	VDC	VDC	AMP	Watt		R.P.M	M3/min	CFM	MmH2O	
SFD-FB0205LA	5	4~6	0.03	0.15	7500	0.012	0.071	1.72	0.032	20.0
SFD-FB0205MA			0.04	0.2	9000	0.017	0.087	1.92	0.041	20.5
SFD-FB0205HA			0.08	0.4	12000	0.034	1.146	2.65	0.085	21.0
SFD-FB0205HHA			0.13	0.65	15000	0.059	1.35	4.31	0.153	21.5
SFD-FB0212LA	12	9~13	0.25	0.30	7500	0.012	0.071	1.72	0.032	20.0
SFD-FB0212MA			0.03	0.36	9000	0.017	0.087	1.92	0.041	20.5
SFD-FB0212HA			0.05	0.6	12000	0.034	1.146	2.65	0.085	21.0
SFD-FB0212HHA			0.09	1.08	15000	0.059	1.35	4.31	0.153	21.5

● Dimensions(unit:mm/inch)



● Air Flow-Static Pressure Characteristics

