

电机直接连接型高真空KHF系列

KHF Series (High vacuum and motor mounting)

DRY-PUMP
PRODUCTS

极限真空 8kPa[abs]以下
 常用真空 可在极限真空~大气压力的宽量程范围内使用
 (但是, KHF08-V型只能在极限真空~48 kPa[abs]内范围使用)
 流量 125~340L/min(50Hz)

Ultimate vacuum 8kPa [abs] or low
 Continuous pressure Wide range from ultimate pressure to
 atmospheric pressure is available (KHF08-V; from ultimate
 pressure to 48kPa[abs])
 Capacity 125~340L/min (50Hz)

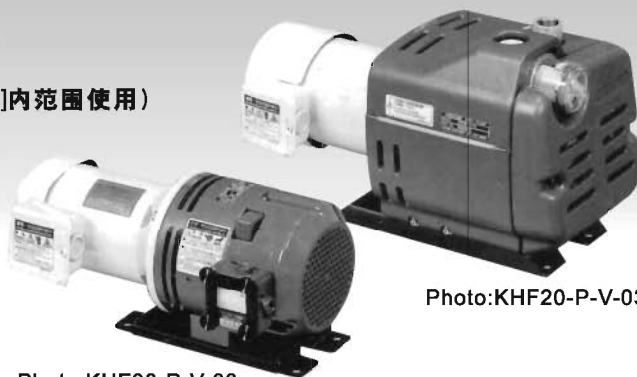


Photo:KHF08-P-V-03

Photo:KHF20-P-V-03

特长

- 在极限真空 (8kPa [abs]) 下能连续运行。
- 比其他泵更容易更换滑片。(与KRX系列相较)
- 运行真空度高, 最适合在电子行业中应用

Features

- Possible to make continuous operation at ultimate pressure. (8kPa[abs] or less)
- In comparison with other pumps (KRX series), easy blade re- placement
- Since the operative vacuum is high, they are most suitable for the alternative of ejector, or to use as the automatic machines for small parts such as electronics parts.

规格

Specifications

型号 Model	设计排气量 Designed pumping capacity		到达极限真空 Ultimate vacuum	使用真空 Continuous operative vacuum	配管连 接孔径 Suction, exhaust port diameter	电源 Motor voltage				运转噪音 (dB) Noise		装载电机 (kw) Motor	重量 Mass (Kg)	
	(L/min) (*1)					单相 三相								
	50Hz	60Hz				100V	220V	200V	380V	50Hz	60Hz			
08-P-V-01	125	150	8	8~48	Rc1/4	○	○	-	-	64	67	0.2	15.5	-
08-P-V-03						-	-	○	○	64	67		0.2	-
14-P-V-01	230	280	8	全量程内可 以使用	Rc3/4	○	○	-	-	66	68	0.4	24	-
14-P-V-03						-	-	○	○	66	68		0.4	-
20-P-V-01	340	400	8	全量程内可 以使用	Rc3/4	○	○			67	69	0.75	35	-
20-P-V-03						-	-	○	○	67	69		0.75	-

※1设计排气量: 由容积所要求的理论值。实际流量参考性能实测数据。

※2在到达泵的最高真空度点时可能连续使用的压力。

※要在性能数据的虚线下连续使用, 请与代理商联系。

※允许脉动范围: 13.3 kPa/s以内

※对排气进行配管时, 允许阻力: 10 kPa以下。(不可以用于排气)

※使用环境(吸入空气)条件: 温度: 0~40℃、湿度: 通常湿度 (65 ± 20%)

※因为高真空泵在压缩比高时, 泵内部容易结露, 所以必须要采取以下措施防止生锈。

- 试运行、吸气侧加上48 kPa[abs]以下的负荷、连续运行5分钟以上。

- 试运行和工作时间在5分钟以内时, 为了除去凝结露水、开放吸气侧、进行10~15分钟的空(干燥)运行。

※电源电压的允许波动范围为额定电压±10%。

※请设置过负荷保护器(热敏继电器等)。

设定值: 设定值以电机标牌上记载的额定电流值为标准。

※ 1 Design displacement: Logic value calculated from the cubic volume. Regarding the actual flow rate, refer to the actual measurement date of performance.

※ 2 Pressure level where continuous operation is possible at the maximum degree of vacuum reached by the pump.

※ For continuous operation on the dotted line of performance data, please ask for ORION dealers before use.

※ Allowable pulsation range: within 13.3kPa/s.

※ In case of using duct piping for exhaust circuit, the allowable resistance is 10 kPa or less (using the exhaust air for any purpose is not available).

※ Allowable resistance of the duct piping: 25kPa or less (Cannot be used for exhaust gas).

※ As the intake gas, use clean air of ordinary temperature and ordinary humidity whenever possible. [Using environmental conditions (intake air) should be 0~40℃ in the temperature and 65±20% in the humidity.]

※ Since high degree vacuum pumps possess higher compression ratio and moisture dewing occurs inside the pump, it is necessary to take rusting trouble preventive measure as follows.

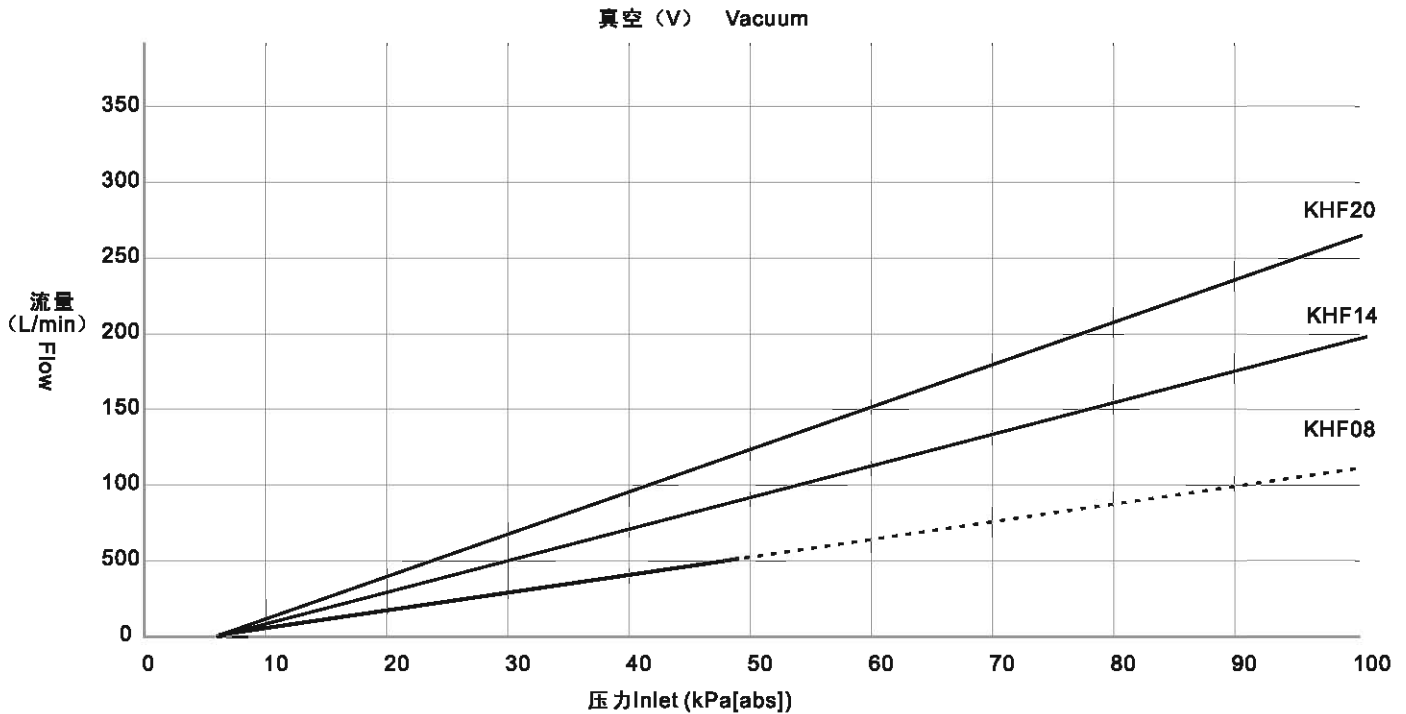
※ As the test operation, make continuous operation for more than 5 minutes applying a load or 48kPa[abs] or less to the suction side.

※ If the test operation or the regular operation time is less than 5 minutes, make no load or (dry) operation for 10 to 15 minutes opening the suction side in order to remove the dewing water.

※ The allowable variation range of the supply voltage should be rated voltage. (10%)
 ※ Install an overload protector (thermal relays, etc.). setting value: Use the rated current value being indicated on the specification plate of the motor as the target value.

性能实测数据 (-50Hz)

Performance data



※性能实测数据表示带过滤器的数据。配管连接时由于其阻力、流量会有差异。

※ Performance curves show the data with a filter. Air flow may differ depending on piping resistance.

※要在48 kPa[abs]以上(性能数据的虚线)时进行连续运行,则请与代理商联系。

※ For application over 48kPa [abs] please ask for ORION dealers before use.

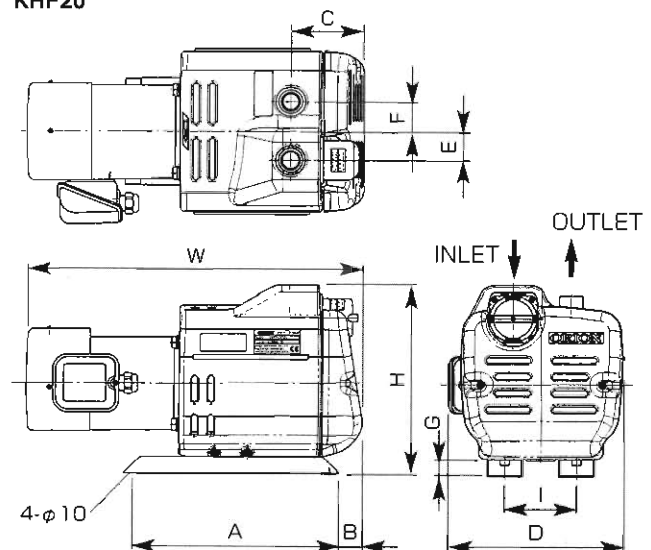
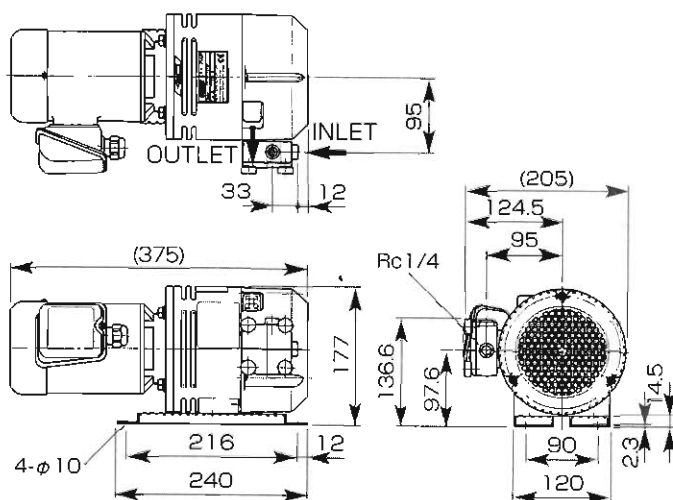
※在1大气压下 20℃

※ Under one normal atmospheric pressure 20℃

外形尺寸 (尺寸单位: mm)

Outer dimensions (Unit:mm)

KHF08

KHF14
KHF20

型式	H	D	W	A	B	C	E	F	G	I
KHF14-P	(245)	(237)	(458)	275	(29)	(100)	(245)	(42)	25	(80)
KHF20-P	(269)	(246)	(470)		(45)	(103)	(245)	(40)		(100)