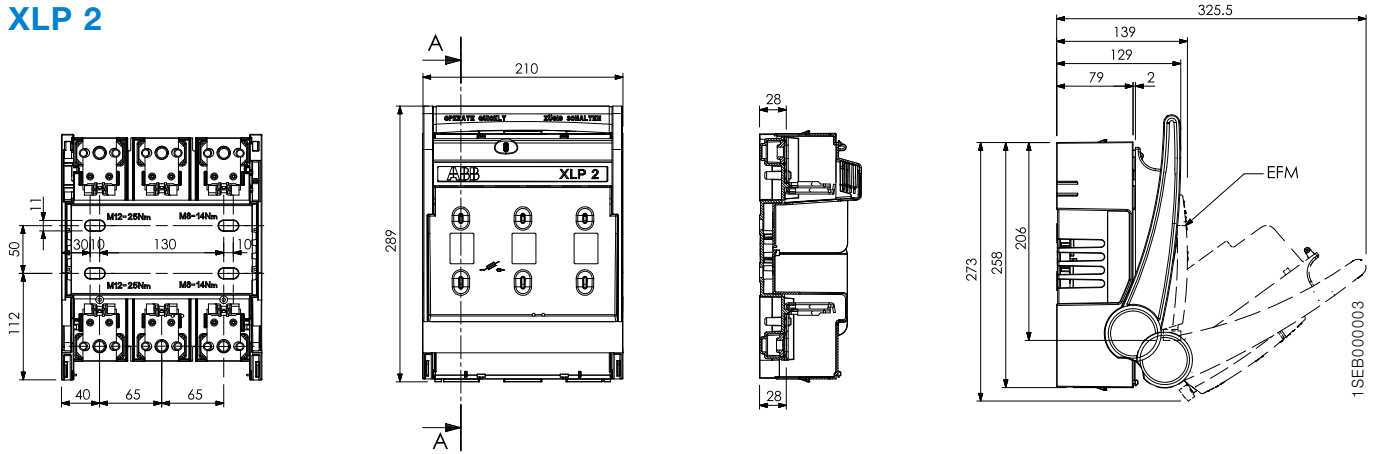


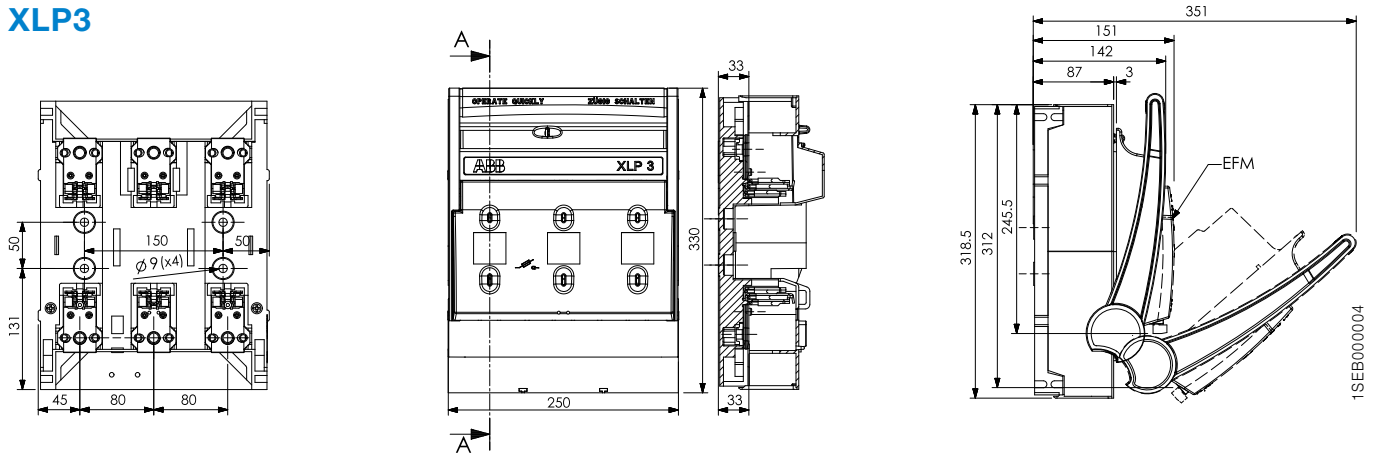
EasyLine (XLP) 熔断器式隔离开关 (方形)

XLP 尺寸图 (mm)

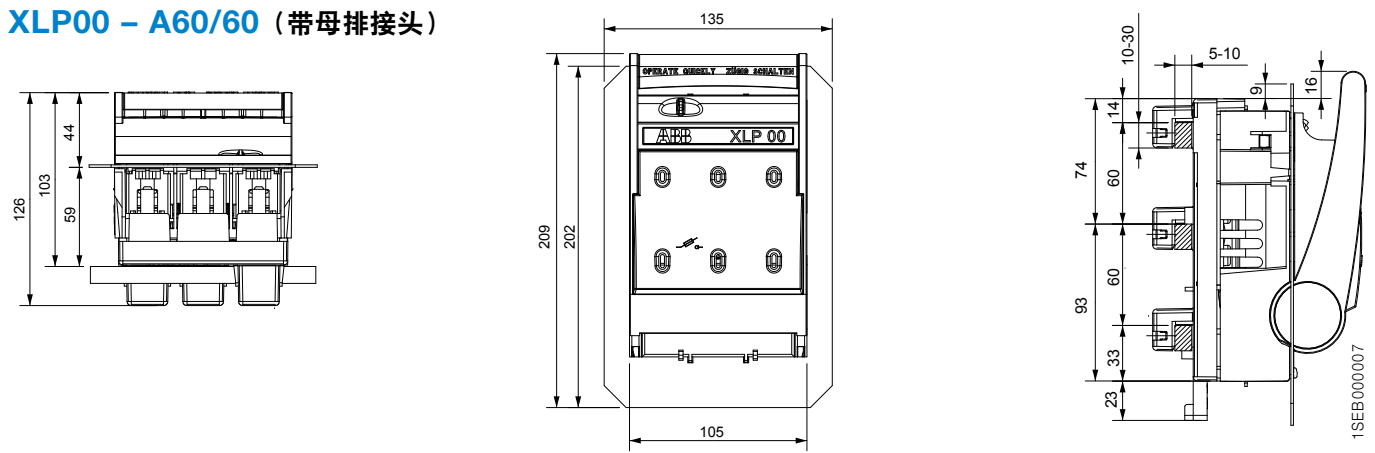
XLP 2



XLP3



XLP00 - A60/60 (带母排接头)



XLP1 - A60/85 (带母排接头)

